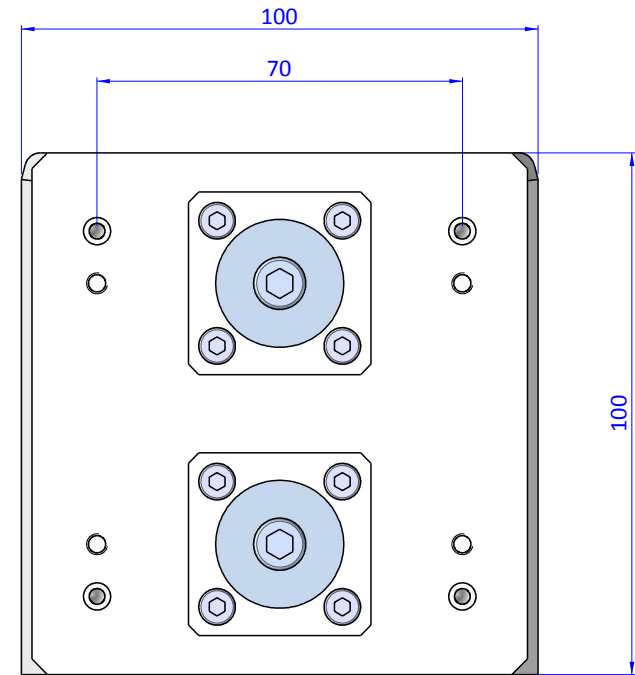
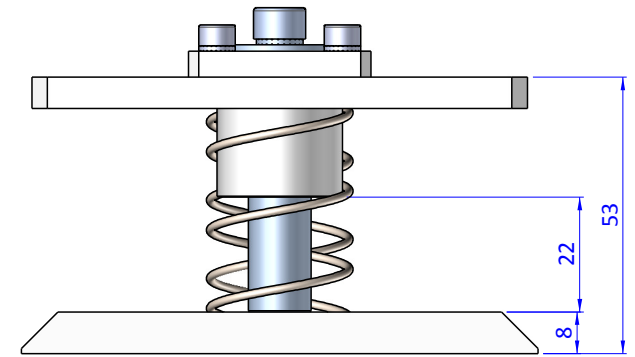
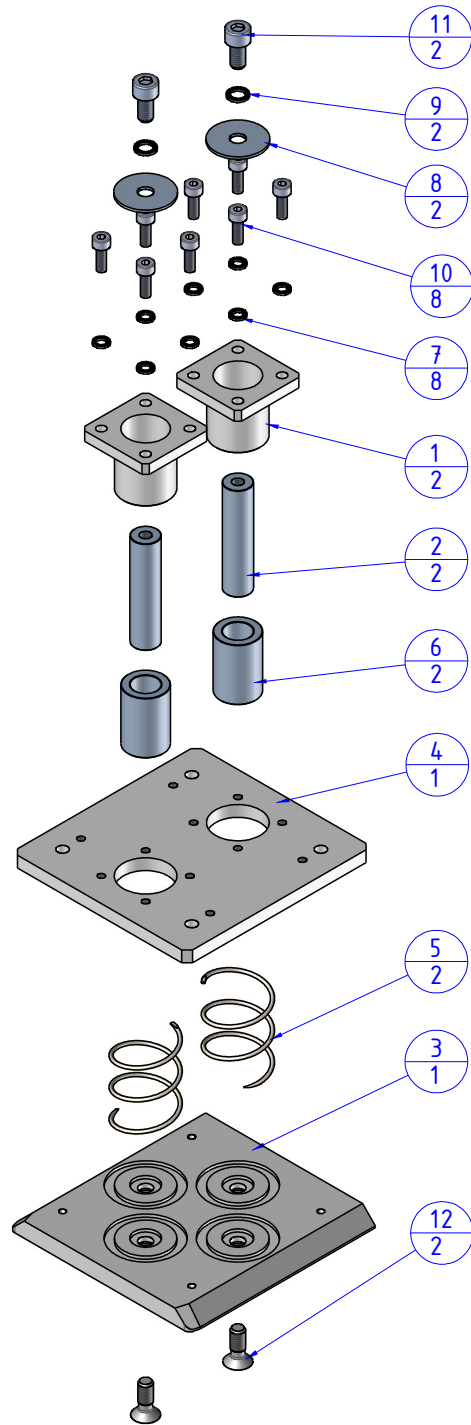



THE PROPERTY OF THE DRAWING IS ESTABLISHED BY LAW. IT IS FORBIDDEN TO PRODUCE OR SHOW IT TO THIRD PARTY, WITHOUT A WRITTEN AGREEMENT.

Item	Name	Qty.
1	GPG.1.1	2
2	GPG.1.2	2
3	GPG.1.4	1
4	GPG.1.5	1
5	M.28x58.24N	2
6	MAN.KH.1228PP	2
7	R.4.SCH	8
8	R.6.Larga	2
9	R.6.SCH	2
10	V.TCE4x12	8
11	V.TCE6x12	2
12	V.TSP6x16	2



Format A3

UNI 936-76

 FPS FPSERVICES AUTOMATION		DESIGNED FROM	REVIEW
		FPS Automation	A
GENERAL TOLERANCE	DESCRIPTION	DATE	WEIGHT
UNI - ISO 2768	CA.GPG.1	24/07/2019	0,486kg
CLASSE f		CODE	CA.GPG.1